

The background features a series of overlapping, wavy lines in a light red color, creating a sense of motion and depth against the dark red background.

DPW.

PRECISION ASSEMBLY WINDER

-----PROPELLER WINDING

精密拨片并纱机

浙江东星纺织有限公司

ZHEJIANG DONGXING TEXTILE CO., LTD

■ 特点 Features

- 精密卷绕，最大可增加30%重量
- 双电机独立控制，实现任意工艺要求
- 永不分纱，无重叠纱
- 直线型纱路
- 单锭定长和速度控制

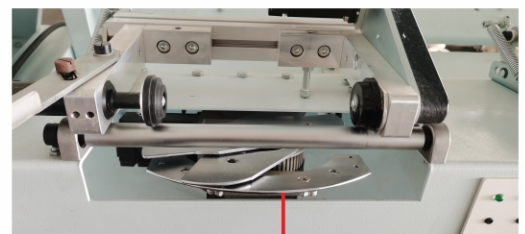
1. High weights of precision packages, you can work with optimised feed package weights on twisting machines.
2. Double motors control ensures any process requirements
3. Electronically controlled anti-patterning device
4. Straight yarn path
5. Individually length measure and speed control
6. Zero split ends or Zero patterning and ribboning zones
7. Perfect unwinding properties

■ 选择精密拨片，您能实现

Advantage of choosing precision assembly winder (DPW)

- 最好的纱线质量，最低的毛羽增量
- 最大的产量，速度可达1200m/min
- 精确的定长和直径
- 减少倍捻断头，提高效率
- 增加无结纱线长度

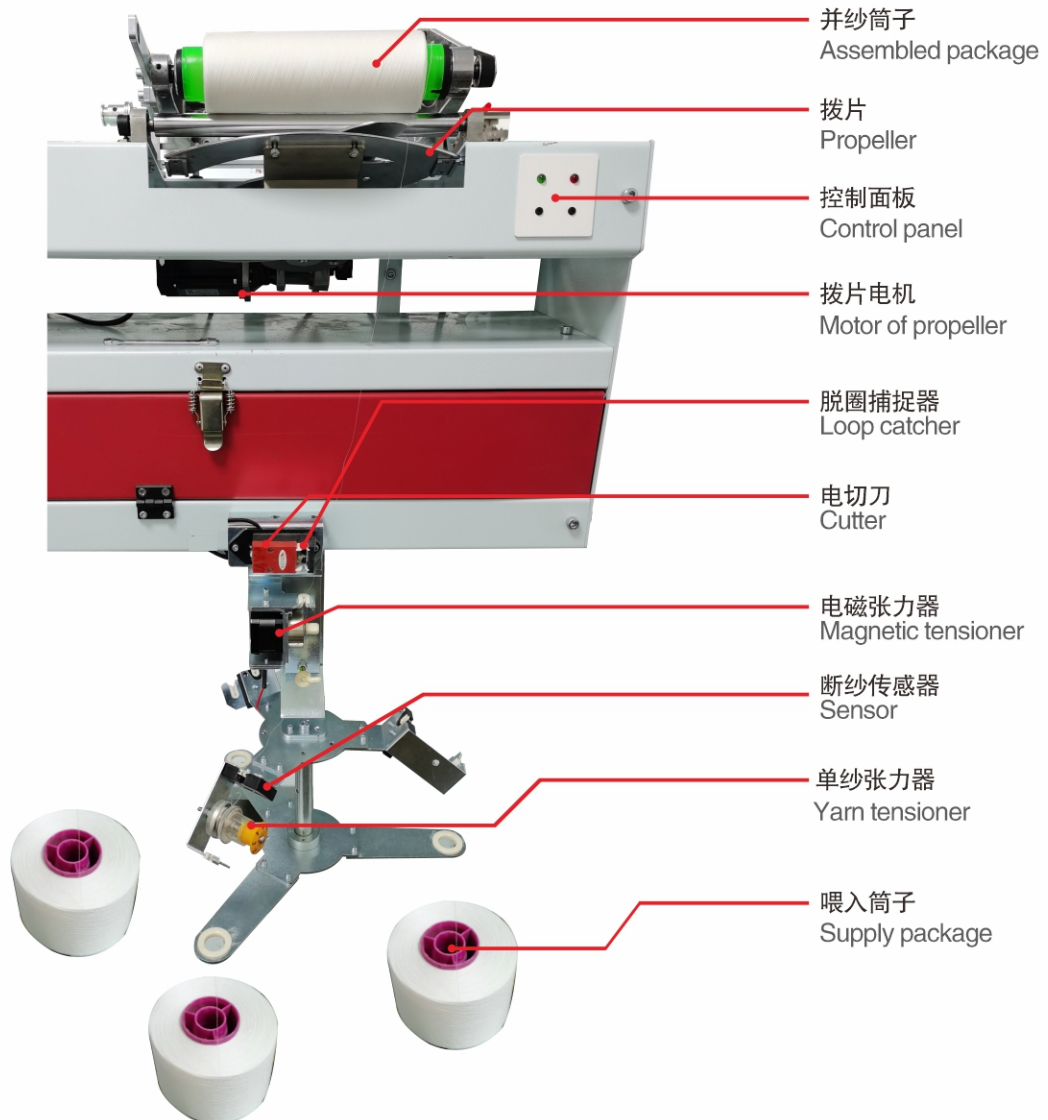
1. Reduced hairiness increase
2. Higher speeds of up to 1200 m/min
3. Reduced yarn breakage rate on TFO
4. Optimized running time and improved efficiency of TFO
5. More knotless yarn lengths



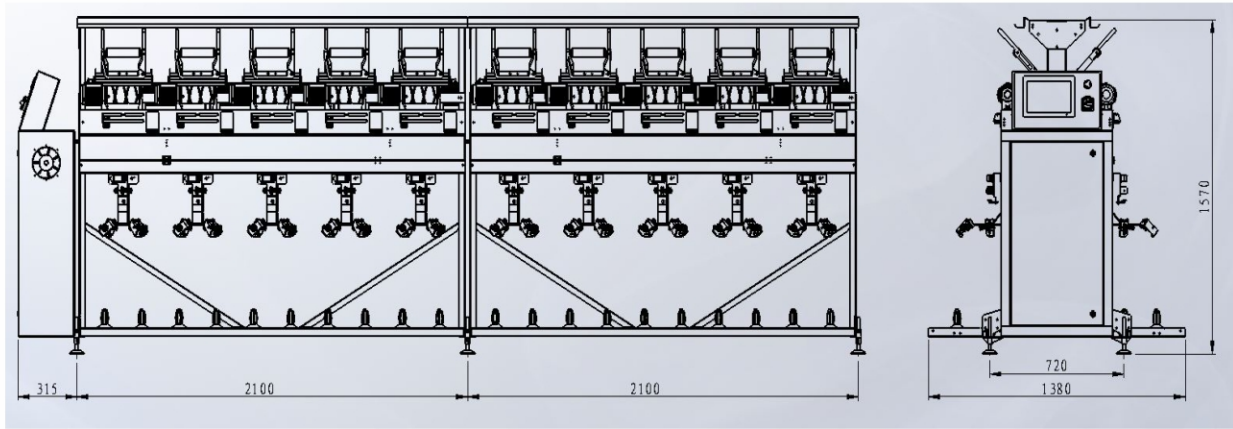
拨片
propeller

主要参数 Technical specifications

型号	Type	DPW
锭距	Gauge	505mm
每节锭数	Spindles per section	8
可并根数	No.of yarn assembly	≤4
卷绕速度	Winding speed	1200m/min
驱动方式	Drive	单锭伺服驱动 Individual servo motor
电机功率	Motor	300w
张力控制	Yarn tension	电磁张力 magnetic tension
往复动程	Traverse	6" , 8"
机器长度	Length of machine	350+(锭数SP ÷ 8)x2100mm
隔纱板	Separator	标配 Standard configuration
选配装置	Optional device	吹吸风装置 Overhead travelling blower



外形尺寸 Layout



机器尺寸 Machine dimensions

锭数 Quantity	8锭/Sp	16锭/Sp	24锭/Sp	32锭/Sp	40锭/Sp	48锭/Sp	56锭/Sp	64锭/Sp	72锭/Sp	80锭/Sp	88锭/Sp	96锭/Sp
长度 Length(mm)	2450	4550	6650	8750	10850	12950	15050	17150	19250	21350	23450	25550
宽度 Width(mm)	1300											
高度 Heigh(mm)	1545											
净重 Net weight(kg)	520	920	1320	1720	2120	2520	2920	3320	3720	4120	4520	4920

浙江东星纺织机械有限公司

ZHEJIANG DONGXING TEXTILE MACHINERY CO., LTD.

地址:浙江省绍兴嵊州市黄泽镇明溪路2号

ADD:No.2 Mingxi Road, Industrial Functional Zone, Huangze Town, Shengzhou, Zhejiang Province, China.

手机/MOBILE:+86 139-0585-4329

座机/TEL:0575-83508068; 400-926-8068

邮箱/E-MAIL:dxj100@163.com

网址/WEB: www.zjdxj.cn

■本样本仅作参考，不作为技术验收依据。

■为提高产品质量，本公司保留更改规格之权力，恕不另行通知。

We reserve the right to modify the characteristics of the machines described herein without prior notice.

The data given in this brochure are not intended as a guarantee.